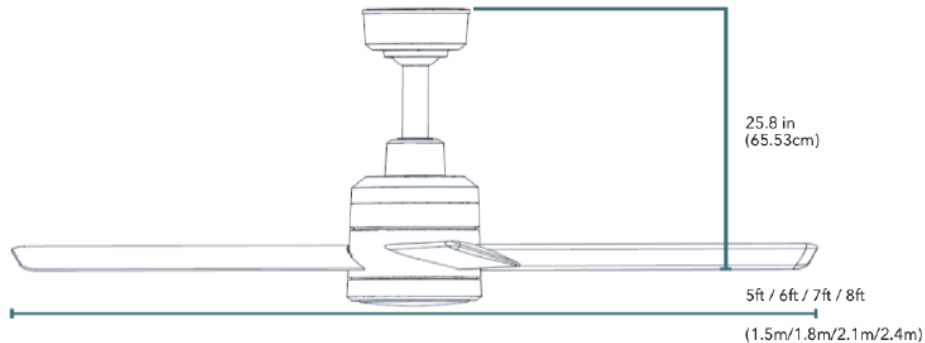


| AIRFOIL DIAMETER | 5ft (1.5m) | 6ft (1.8m) | 7ft (2.1m) | 8ft (2.4m) |
|-----------------------|--|------------|------------|------------|
| Airfoil Material | 6061-T6 Aircraft Grade Aluminum | | | |
| Number of Airfoils | 4 | | | |
| Airfoil Finish Colors | Matte Black, Fresh White, Matte Silver | | | |



| PERFORMANCE | 5ft (1.5m) | 6ft (1.8m) | 7ft (2.1m) | 8ft (2.4m) |
|-----------------------|---|--|--|---|
| Max Speed (RPM) | 194 | 161 | 143 | 143 |
| Recommended Spacing | 20ft (6.10m) | 24ft (7.32m) | 28ft (8.53m) | 30ft (9.14m) |
| Max Affected Area | 400ft ² (37.16m ²) | 576ft ² (53.5m ²) | 784ft ² (72.8m ²) | 1024ft ² (95.1m ²) |
| Max Sound Level (dBA) | 51 | 47 | 54 | 54 |
| Air Volume | 11,437 CFM (5.398CMS) | 16,540 CFM (7.806 CMS) | 18,391 CFM (8.680 CMS) | 24,466 CFM (11.547 CMS) |

| HANGING REQUIREMENTS | 5ft (1.5m) | 6ft (1.8m) | 7ft (2.1m) | 8ft (2.4m) |
|----------------------|----------------|------------------|----------------|------------------|
| Hanging Weight | 48lbs (21.8kg) | 48.5lbs (22.0kg) | 49lbs (22.2kg) | 49.5lbs (22.5kg) |

| MOTOR | 5ft (1.5m) | 6ft (1.8m) | 7ft (2.1m) | 8ft (2.4m) |
|---------------|------------------------------|------------|------------|------------|
| Motor Type | Reversible, 8-Speed DC Motor | | | |
| Max Power (W) | 68 | 73 | 74 | 102 |

| MAX AMP DRAW | 5ft (1.5m) | 6ft (1.8m) | 7ft (2.1m) | 8ft (2.4m) |
|-----------------------|------------|------------|------------|------------|
| 120V Single Phase (A) | 0.57 | 0.61 | 0.62 | 0.85 |
| 240V Single Phase (A) | 0.31 | 0.33 | 0.34 | 0.46 |

POWER AND CONTROLS

| | |
|--------------------------------|---|
| Power Source | AC 1PH 100-120V 50-60HZ, AC 1PH 200-240V 50-60HZ |
| Wall Control Options | RF Remote Control, Basic Wall Control, 3in. (7.6cm) Touchscreen Wall Control, or 4in. (10.2cm) Touchscreen Wall Control |
| Building Management Compatible | BACNet Gateway |

INSTALLATION

| | |
|------------------|---|
| Mounting Options | Standard/Angled |
| Downrod Length | 11in. (27.94cm) Standard Downrod Optional downrod sizes: 23in. (58.42cm), 35in. (88.9cm), 47in. (119.38cm), 59in. (149.86cm) |
| Motor Wiring | Pre-wired motor cables, pre-assembled downrod |

LED Light Kit

| | |
|--------------------------------|--|
| Color Temperature (K) | 3,000 |
| Flux (Lm) | 2,600 |
| Min Luminous Efficiency (Lm/W) | 80 |
| Max Input Power (W) | 30 |
| Max Input Current | 120V Single Phase (A) = 0.25 240V Single Phase (A) = 0.13 |

RATING AND COMPLIANCE

| | |
|-----------------|--|
| --- | UL 507 Wet Rated |
| Certifications | ETL/Intertek- certified to ANSI/UL 507 and CSA C22.2 No. 60335-1 and 60335-2-80 in North America |
| Safety Features | International Low Voltage Directive: 2014/35/EU. IEC / EMC / CE |
| Warranty | 5-Year Warranty (All Components) |

REV020526SR

